

M 10

Speaker Specifications

Power	Pe	200 / 300	RMS/Nom
DC resistance	Rdc	3,2	Ω
Nominal impedance	ZN	4	Ω
Resonance frequency	fs	31,3	HZ
Voice coil diameter		2,0	inch

Mechanical Q factor	Qms	5,51
Electrical Q factor	Qes	0,40
Total Q factor	Qts	0,37

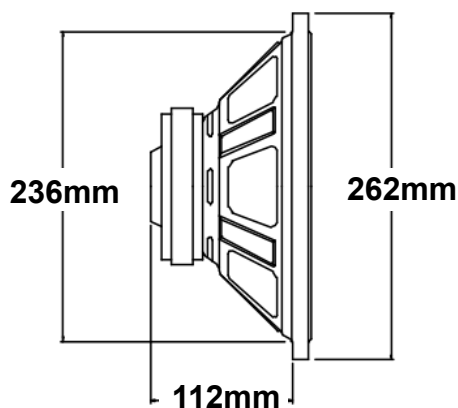
Moving mass	Mms	67,2	g
Effective piston area	Sd	366	cm ²
Mechanical resistance	Rms	2,3	Kg/s
Compliance	Cms	0,34	mm/N
Force factor	BL	10,2	Tm
Equivalent air volume	Vas	63,6	dm ³
SPL 2,83V/1m		92,1	dB

Cone: Paper	Spider: Nomex
Surround: Rubber	Coil former: Aluminium
Basket: Steel	Dust cap: PP



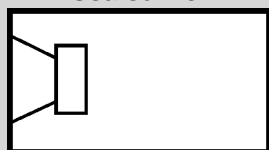
Diameter

External diameter	262 mm / 10,31 inch
Installation diameter	236 mm / 9,29 inch
Installation depth	112 mm / 4,41 inch
Magnet diameter	127 mm / 5,00 inch



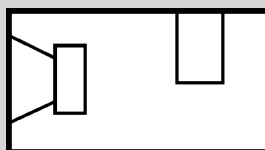
Recommended Boxes (including Ports and Drivers)

Sealed Box



V: **20 l**

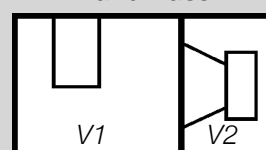
Vented Box



V: **29 l**

d: 70 mm / 2,76 inch
l: 180 mm / 7,09 inch

Band Pass



V1: **17 l** V2: **22 l**

d: 100 mm / 3,94 inch
l: 280 mm / 11,02 inch