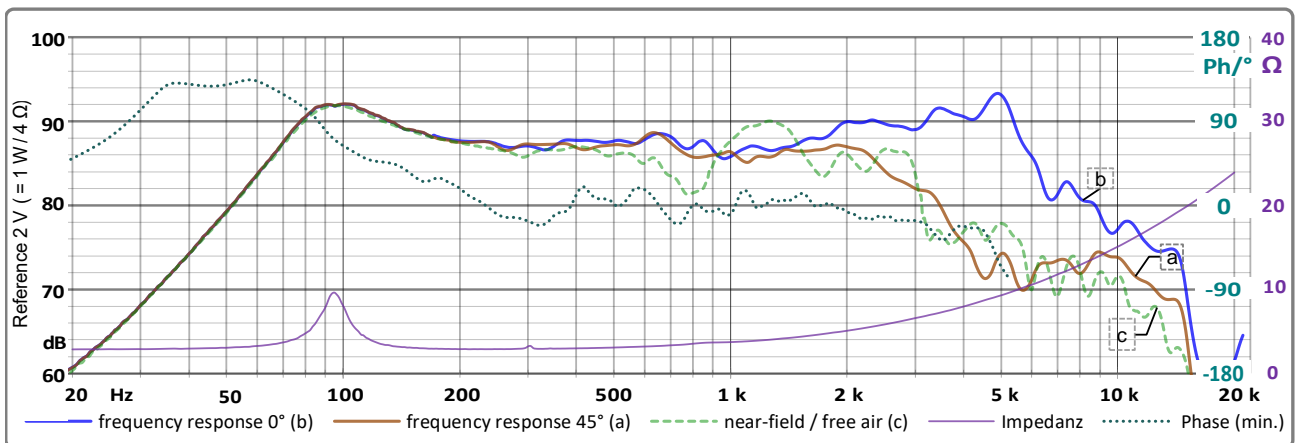


HG 165 SLIM-3

GLADEN
GERMAN TECHNOLOGY

Specifications

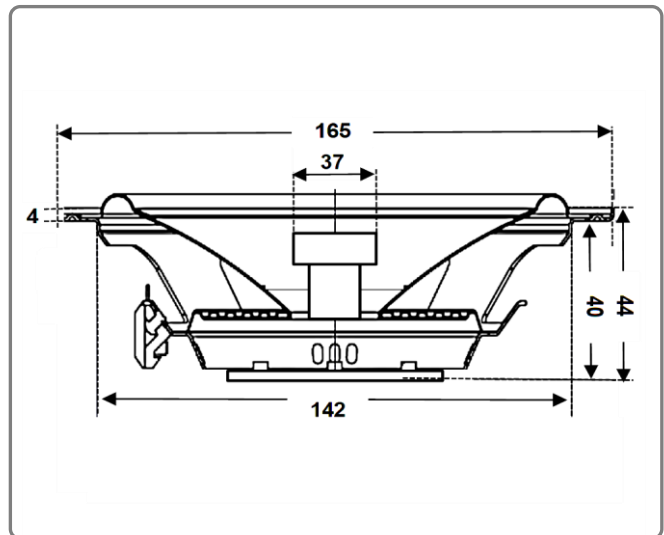
woofer/midrange			
Diameter (outside / instal. / depth)	165 / 142 / 44	mm	
Recommended application	> 80 ⁽³⁾ - < 3520 Hz ⁽⁴⁾		
SPL 2,83V/1m ⁽³⁾	90,2 dB		
Recommended amplifier power	20 - 90 Watt		
Impuls SPL / fs ⁽¹⁾	100 Hz	140 Hz	200 Hz
dB / Watt ⁽¹⁾	90 / 108	109/120	107/110
Nominal impedance	3 Ω		



Parameters

DC resistance	Rdc	2,63	Ω
Resonance frequency ⁽⁵⁾	fs	95	Hz
Voice Coil diameter		25	mm
Voice coil winding height		7	mm
Pole plate strength		4	mm
Max. linear excursion ⁽⁶⁾	+/-	2,83	mm
Mechanical Q factor	Qms	6,64	
Electrical Q factor	Qes	2,78	
Total Q factor	Qts	1,96	
Moving mass	Mms	9,1	g
Effective piston area	Sd	133	cm ²
Mechanical resistance	Rms	0,81	Kg/s
Compliance	Cms	0,310	mm/N
Force factor	BL	2,3	Tm
Equivalent air volume	VAS	7,66	cm ³
Sound pressure ⁽²⁾	dB w/m	86,9 η ⁽³⁾	0,23 %

Dimensions (mm)



(1) at 50% compression or 2 x rated load capacity
 (2) ∅ within the recommended transmission range
 (3) Calculation based on TSP parameters

(4) Upper limit -6 dB - 1/3 oktav, alt. 1/2 octave before resonance
 (5) In recorded state
 (6) Xmax= [(winding depth - mag. gap depth)/2] + (mag. gap depth/3)