

RS 15 FA

Speaker Specifications

Power	Re	450 / 650	RMS/Nom
DC resistance	Rdc	4,0	Ω
Nominal impedance	ZN	4	Ω
Resonance frequency	fs	27,6	HZ
Voice coil diameter		2,5	inch

Mechanical Q factor	Qms	5,92
Electrical Q factor	Qes	0,60
Total Q factor	Qts	0,54

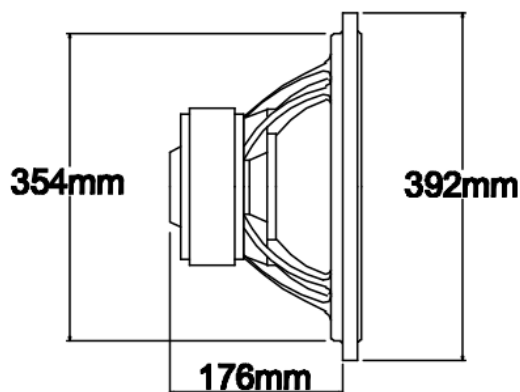
Moving mass	Mms	237,5	g
Effective piston area	Sd	830	cm ²
Mechanical resistance	Rms	7,0	Kg/s
Compliance	Cms	0,14	mm/N
Force factor	BL	16,6	Tm
Equivalent air volume	Vas	134,7	dm ³
SPL 2,83V/1m		91,6	dB

Cone: Paper	Spider: Nomex
Surround: Rubber	Coil former: Aluminium
Basket: Aluminium	Dust cap: Fiberglass



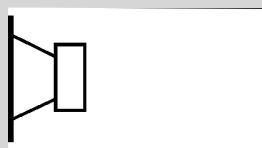
Diameter

External diameter	392 mm / 15,43 inch
Installation diameter	354 mm / 13,94 inch
Installation depth	176 mm / 6,93 inch
Magnet diameter	190 mm / 7,48 inch

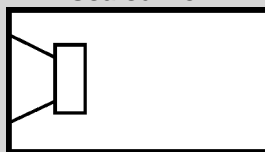


Recommended Boxes (including Ports and Drivers)

Free Air

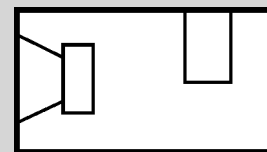


Sealed Box



V: **70 l**

Vented Box



V: **100 l**

d: 2 x 100 / 3,94 mm / inch
l: 200 / 7,87 mm / inch