

RS 12 FA

Speaker Specifications

Power	Pe	400 / 600	RMS/Nom
DC resistance	Rdc	3,9	Ω
Nominal impedance	ZN	4	Ω
Resonance frequency	fs	28,1	HZ
Voice coil diameter		2,5	inch

Mechanical Q factor	Qms	5,79
Electrical Q factor	Qes	0,58
Total Q factor	Qts	0,53

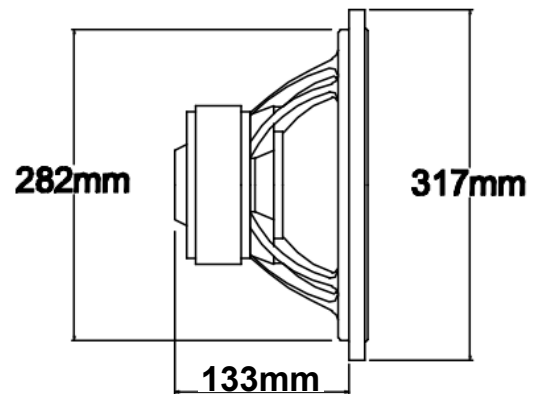
Moving mass	Mms	143,3	g
Effective piston area	Sd	490	cm ²
Mechanical resistance	Rms	4,4	Kg/s
Compliance	Cms	0,22	mm/N
Force factor	BL	13,2	Tm
Equivalent air volume	Vas	92,2	dm ³
SPL 2,83V/1m		90,3	dB

Cone: Paper	Spider: Nomex
Surround: Rubber	Coil former: Aluminium
Basket: Aluminium	Dust cap: Fiberglass



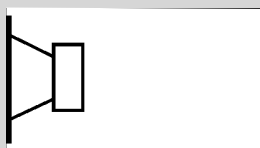
Diameter

External diameter	317 mm / 12,48 inch
Installation diameter	282 mm / 11,1 inch
Installation depth	133 mm / 5,24 inch
Magnet diameter	150 mm / 5,91 inch

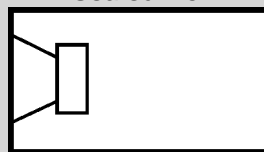


Recommended Boxes (including Ports and Drivers)

Free Air

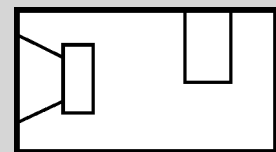


Sealed Box



V: **32 l**

Vented Box



V: **48 l**

d: 100 / 3,94 mm / inch
l: 200 / 7,87 mm / inch