

RS 08

Speaker Specifications

Power	Pe	175 / 250	RMS/Nom
DC resistance	Rdc	3,5	Ω
Nominal impedance	ZN	4	Ω
Resonance frequency	fs	39,6	HZ
Voice coil diameter		1,5	inch

Mechanical Q factor	Qms	5,96
Electrical Q factor	Qes	0,55
Total Q factor	Qts	0,50

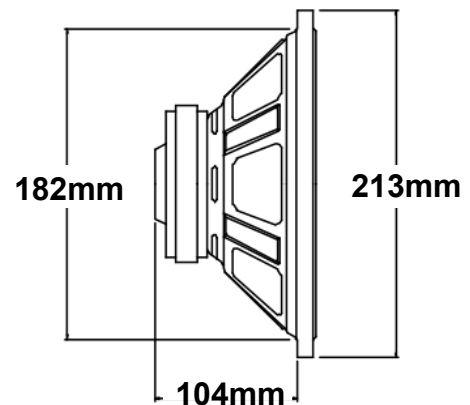
Moving mass	Mms	57,3	g
Effective piston area	Sd	221	cm ²
Mechanical resistance	Rms	2,5	Kg/s
Compliance	Cms	0,28	mm/N
Force factor	BL	9,5	Tm
Equivalent air volume	Vas	18,1	dm ³
SPL 2,83V/1m		88	dB

Cone: Paper	Spider: Nomex
Surround: Rubber	Coil former: Aluminium
Basket: Steel	Dust cap: Fiberglass



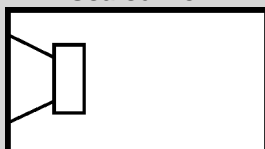
Diameter

External diameter	213 mm / 8,39 inch
Installation diameter	182 mm / 7,17 inch
Installation depth	104 mm / 4,09 inch
Magnet diameter	126 mm / 4,96 inch



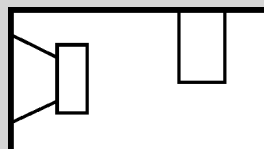
Recommended Boxes (including Ports and Drivers)

Sealed Box



V: **12 l**

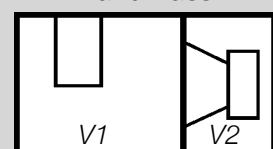
Vented Box



V: **20 l**

d: 70 / 2,76 mm / inch
l: 200 / 7,87 mm / inch

Band Pass



V1: **13 l** V2: **9 l**

d: 70 mm / 2,76 inch
l: 200 mm / 7,87 inch