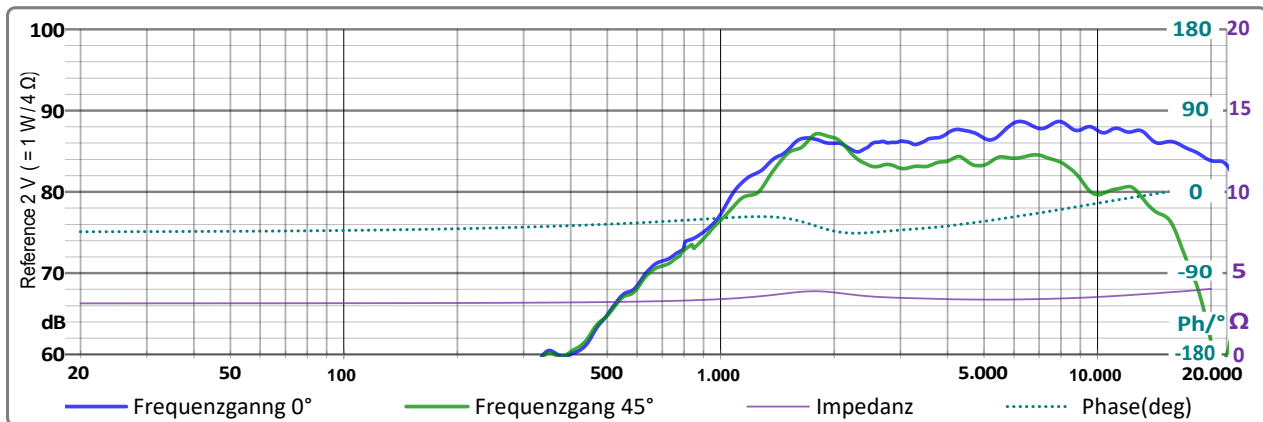


HG-25GF

Specifications

Tweeter

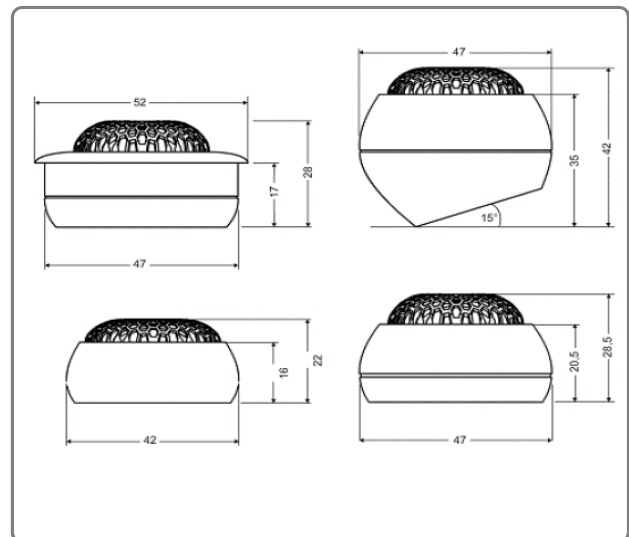
Diameter (installation/outside)	52 / 47 mm
Application area / fs (-3 dB)	< 1531 Hz
Cut-off / fs	> 4200 Hz 12 dB 125 Watt ⁽¹⁾
	> 3300 Hz 18 dB 75 Watt ⁽¹⁾
	> 2100 Hz 24 dB 60 Watt ⁽¹⁾
SPL 2,83V/1m ⁽²⁾	90,0 dB
Nominal impedance	4 Ω
Voice Coil	25 mm



Electrical parameters

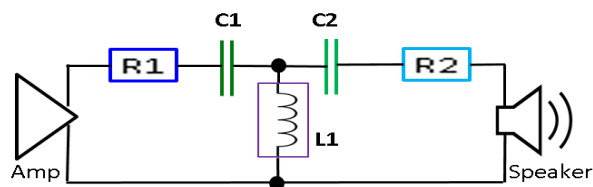
DC resistance	R _{dc}	3,1 Ω
Resonance frequency	f _s	1650 Hz
Voice Coil diameter		25 mm
Voice coil winding height		2,3 mm
Pole plate strength		2 mm
Max. linear excursion	+/-	0,15 mm
Efficiency ⁽²⁾	87 dB w/m η	0,6 % ⁽³⁾

Dimensions (mm)



Recommended enclosure volumes

f _s Hz	2500	2900
R1 R	-- (deleted)	-- (deleted)
C1 μ	6,8	6,8
L1 mH	0,18	0,22
R2 R	-- (deleted)	-- (deleted)
C2 μ	6,8	-- (deleted)



⁽¹⁾ Via crossover with power distribution according to typical music signal. Depending on the vehicle and installation situation varying.

⁽²⁾ Ø within the recommended transmission range

⁽³⁾ TSP calculation