

## ZERO 10 PRO

### Speaker Specifications

Power	Pe	<b>400 / 600</b>	RMS/Nom
DC resistance	Rdc	<b>3,4</b>	Ω
Nominal impedance	ZN	<b>4</b>	Ω
Resonance frequency	fs	<b>30</b>	HZ
Voice coil diameter		<b>2,5</b>	inch
Xmax	+ -	<b>12,5</b>	mm

Mechanical Q factor	Qms	<b>7,34</b>
Electrical Q factor	Qes	<b>0,49</b>
Total Q factor	Qts	<b>0,46</b>

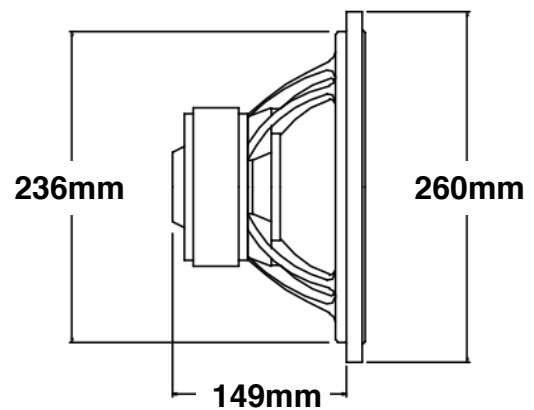
Moving mass	Mms	<b>98,57</b>	g
Effective piston area	Sd	<b>346</b>	cm <sup>2</sup>
Mechanical resistance	Rms	<b>2,77</b>	Kg/s
Compliance	Cms	<b>0,28</b>	mm/N
Force factor	BL	<b>10,9</b>	Tm
Equivalent air volume	Vas	<b>47,25</b>	dm <sup>3</sup>
SPL 2,83V/1m		<b>90</b>	dB

Cone: PFP	Spider: Nomex
Surround: Rubber	Coil former: Aluminium
Basket: Aluminium	Dust cap: Paper



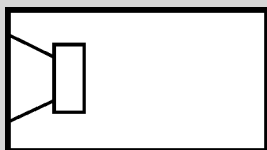
### Diameter

External diameter	<b>260 mm / 10,24 inch</b>
Installation diameter	<b>236 mm / 9,29 inch</b>
Installation depth	<b>149 mm / 5,87 inch</b>
Magnet diameter	<b>155 mm / 6,10 inch</b>



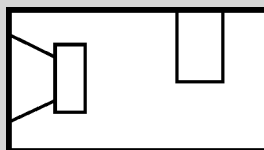
### Recommended Boxes (including Ports and Drivers)

#### Sealed Box



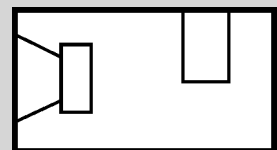
V: **20 l**

#### Vented Box



**For Fun**  
V: **34 l**  
Ft: 49 Hz  
d: 100 mm / 4,92 inch  
l: 210 / 8,27 mm / inch

#### Vented Box



**For SQ**  
V: **34 l**  
Ft: 43 Hz  
d: 100 mm / 4,92 inch  
l: 300 / 11,81 mm / inch