

## SQX 15 EXTREME

### Speaker Specifications

|                     |     |                   |         |
|---------------------|-----|-------------------|---------|
| Power               | Re  | <b>850 / 1275</b> | RMS/Nom |
| DC resistance       | Rdc | <b>1,99</b>       | Ω       |
| Nominal impedance   | ZN  | <b>2</b>          | Ω       |
| Resonance frequency | fs  | <b>35,5</b>       | HZ      |
| Voice coil diameter |     | <b>3</b>          | inch    |

|                     |     |             |
|---------------------|-----|-------------|
| Mechanical Q factor | Qms | <b>6,73</b> |
| Electrical Q factor | Qes | <b>0,57</b> |
| Total Q factor      | Qts | <b>0,53</b> |

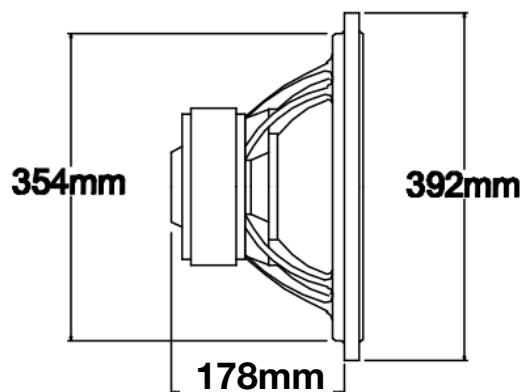
|                       |     |             |                 |
|-----------------------|-----|-------------|-----------------|
| Moving mass           | Mms | <b>240</b>  | g               |
| Effective piston area | Sd  | <b>830</b>  | cm <sup>2</sup> |
| Mechanical resistance | Rms | <b>8,7</b>  | Kg/s            |
| Compliance            | Cms | <b>0,08</b> | mm/N            |
| Force factor          | BL  | <b>13,1</b> | Tm              |
| Equivalent air volume | Vas | <b>80,7</b> | dm <sup>3</sup> |
| SPL 2,83V/1m          |     | <b>95,9</b> | dB              |

|                   |                        |
|-------------------|------------------------|
| Cone: Paper       | Spider: Nomex          |
| Surround: Foam    | Coil former: Aluminium |
| Basket: Aluminium | Dust cap: PP           |



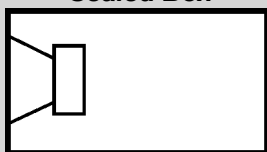
### Diameter

|                       |                            |
|-----------------------|----------------------------|
| External diameter     | <b>392 mm / 15,43 inch</b> |
| Installation diameter | <b>354 mm / 13,94 inch</b> |
| Installation depth    | <b>178 mm / 7,01 inch</b>  |
| Magnet diameter       | <b>190 mm / 7,48 inch</b>  |



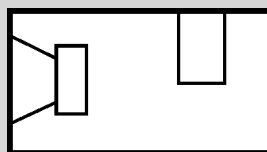
### Recommended Boxes (including Ports and Drivers)

#### Sealed Box



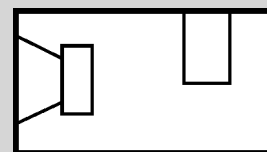
V: **60 l**

#### Vented Box



V: 95 l  
 ft: 39 Hz (42 Hz)  
 d: 2x 100 mm / 3,94 inch  
 l: 250 mm / 9,84 inch  
 (200 mm / 7,88 inch)

#### Vented Box



V: 130 l  
 ft: 41 Hz (44 Hz)  
 d: 4x 100 mm / 3,94 inch  
 l: 280 mm / 11,02 inch  
 (220 mm / 8,66 inch)