

## SQX 10

### Speaker Specifications

Power	Pe	<b>350 / 525</b>	RMS/Nom
DC resistance	Rdc	<b>3,2</b>	Ω
Nominal impedance	ZN	<b>4</b>	Ω
Resonance frequency	fs	<b>38,8</b>	HZ
Voice coil diameter		<b>2,5</b>	inch
Xmax	+ -	<b>10</b>	mm

Mechanical Q factor	Qms	<b>4,99</b>
Electrical Q factor	Qes	<b>0,42</b>
Total Q factor	Qts	<b>0,39</b>

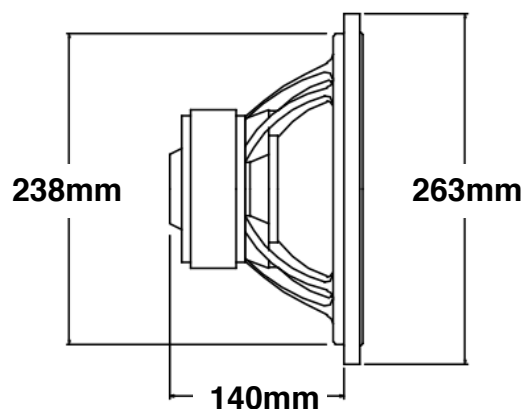
Moving mass	Mms	<b>98,8</b>	g
Effective piston area	Sd	<b>366</b>	cm <sup>2</sup>
Mechanical resistance	Rms	<b>4,8</b>	Kg/s
Compliance	Cms	<b>0,17</b>	mm/N
Force factor	BL	<b>13,5</b>	Tm
Equivalent air volume	Vas	<b>24,5</b>	dm <sup>3</sup>
SPL 2,83V/1m		<b>90,1</b>	dB

Cone: Paper	Spider: Nomex
Surround: Foam	Coil former: Aluminum
Basket: Aluminum	Dust cap: PP

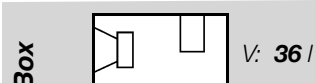
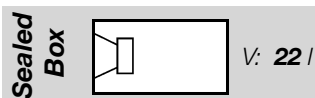


### Diameter

External diameter	<b>263 mm / 10,35 inch</b>
Installation diameter	<b>238 mm / 9,37 inch</b>
Installation depth	<b>140 mm / 5,51 inch</b>
Magnet diameter	<b>162 mm / 6,38 inch</b>

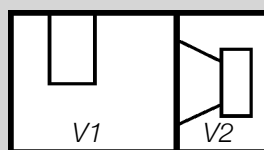


### Recommended Boxes (including Ports and Drivers)



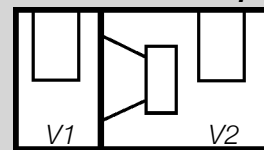
Ft: 47 Hz  
d: 100 mm / 3,94 inch  
l: 240 mm / 9,45 inch

### Band Pass



V1: **22 l**      V2: **15 l**  
Fm: 66 Hz  
d: 100 mm / 3,94 inch  
l: 200 mm / 7,88 inch

### Double Vented Bandpass



V1: <b>16 l</b> F1: 79 Hz d: 100 mm / 3,94 inch l: 200 mm / 7,88 inch	V2: <b>30 l</b> F2: 41 Hz d: 70 mm / 2,76 inch l: 200 mm / 7,88 inch
--	---