

RS 10

Speaker Specifications

Power	Pe	250 / 375	RMS/Nom
DC resistance	Rdc	3,5	Ω
Nominal impedance	ZN	4	Ω
Resonance frequency	fs	31,2	HZ
Voice coil diameter		2	inch

Mechanical Q factor	Qms	5,64
Electrical Q factor	Qes	0,35
Total Q factor	Qts	0,33

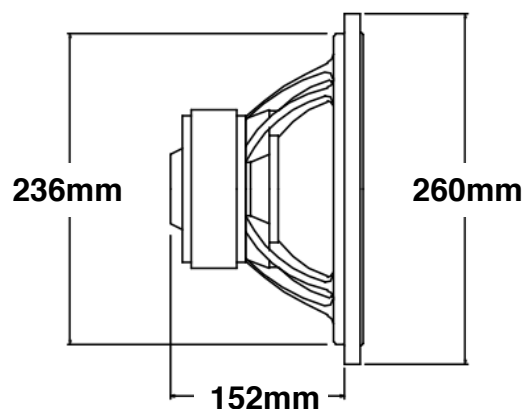
Moving mass	Mms	96,4	g
Effective piston area	Sd	366	cm ²
Mechanical resistance	Rms	5,1	Kg/s
Compliance	Cms	0,25	mm/N
Force factor	BL	14,1	Tm
Equivalent air volume	Vas	51,0	dm ³
SPL 2,83V/1m		91,5	dB

Cone: Paper	Spider: Nomex
Surround: Rubber	Coil former: Aluminium
Basket: Aluminium	Dust cap: Fiberglass



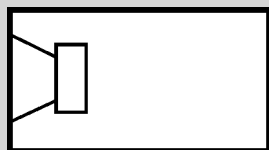
Diameter

External diameter	260 mm / 10,24 inch
Installation diameter	236 mm / 9,29 inch
Installation depth	152 mm / 5,98 inch
Magnet diameter	147 mm / 5,79 inch



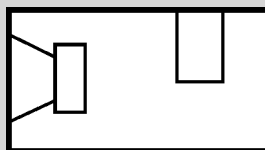
Recommended Boxes (including Ports and Drivers)

Sealed Box



V: **22 l**

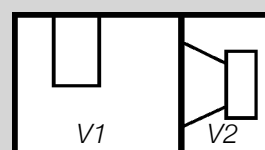
Vented Box



V: **32 l**

d: 100 mm / 4,92 inch
l: 200 / 7,87 mm / inch

Band Pass



V1: **20 l** V2: **14 l**

d: 100 mm / 4,92 inch
l: 200 mm / 7,87 inch