

RS 08 EXTREME

Speaker Specifications

Power	Pe	200/ 300	RMS/Nom
DC resistance	Rdc	2,0	Ω
Nominal impedance	ZN	2	Ω
Resonance frequency	fs	36,3	HZ
Voice coil diameter		1,5	inch

Mechanical Q factor	Qms	5,65
Electrical Q factor	Qes	0,40
Total Q factor	Qts	0,38

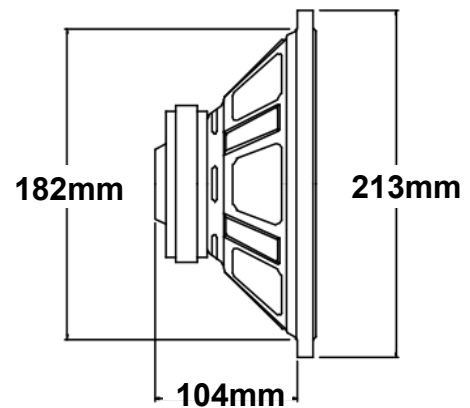
Moving mass	Mms	59,3	g
Effective piston area	Sd	221	cm ²
Mechanical resistance	Rms	2,4	Kg/s
Compliance	Cms	0,32	mm/N
Force factor	BL	8,2	Tm
Equivalent air volume	Vas	21,2	dm ³
SPL 2,83V/1m		89	dB

Cone: Paper	Spider: Nomex
Surround: Rubber	Coil former: Aluminium
Basket: Steel	Dust cap: Fiberglass



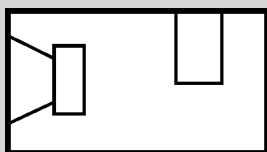
Diameter

External diameter	213 mm / 8,39 inch
Installation diameter	182 mm / 7,17 inch
Installation depth	104 mm / 4,09 inch
Magnet diameter	126 mm / 4,96 inch



Recommended Boxes

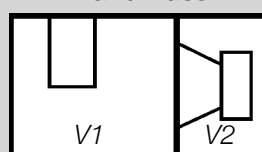
Vented Box



V: **20l**

d: 70 mm / 2,76 inch
l: 200 / 7,87 mm / inch

Band Pass



V1: **13 l** V2: **9 l**

d: 70 mm / 2,76 inch
l: 200 mm / 7,87 inch