

RS 08

Speaker Specifications

| | | | |
|---------------------|-----|------------------|---------|
| Power | Pe | 175 / 250 | RMS/Nom |
| DC resistance | Rdc | 3,5 | Ω |
| Nominal impedance | ZN | 4 | Ω |
| Resonance frequency | fs | 39,6 | HZ |
| Voice coil diameter | | 1,5 | inch |

| | | |
|---------------------|-----|-------------|
| Mechanical Q factor | Qms | 5,96 |
| Electrical Q factor | Qes | 0,55 |
| Total Q factor | Qts | 0,50 |

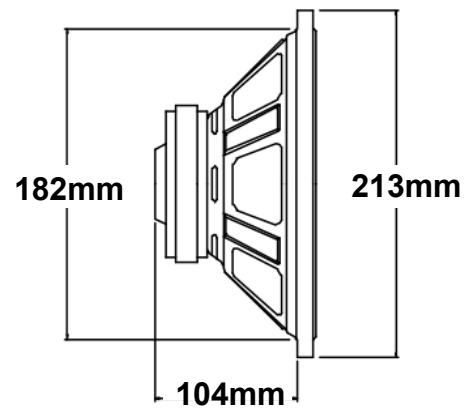
| | | | |
|-----------------------|-----|-------------|-----------------|
| Moving mass | Mms | 57,3 | g |
| Effective piston area | Sd | 221 | cm ² |
| Mechanical resistance | Rms | 2,5 | Kg/s |
| Compliance | Cms | 0,28 | mm/N |
| Force factor | BL | 9,5 | Tm |
| Equivalent air volume | Vas | 18,1 | dm ³ |
| SPL 2,83V/1m | | 88 | dB |

| | |
|------------------|------------------------|
| Cone: Paper | Spider: Nomex |
| Surround: Rubber | Coil former: Aluminium |
| Basket: Steel | Dust cap: Fiberglass |



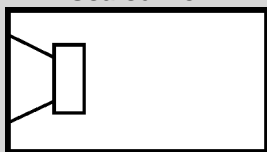
Diameter

| | |
|-----------------------|---------------------------|
| External diameter | 213 mm / 8,39 inch |
| Installation diameter | 182 mm / 7,17 inch |
| Installation depth | 104 mm / 4,09 inch |
| Magnet diameter | 126 mm / 4,96 inch |



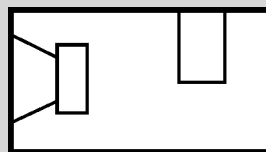
Recommended Boxes (including Ports and Drivers)

Sealed Box



V: **12 l**

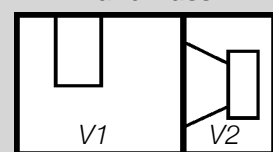
Vented Box



V: **20 l**

d: 70 / 2,76 mm / inch
l: 200 / 7,87 mm / inch

Band Pass



V1: **13 l** V2: **9 l**

d: 70 mm / 2,76 inch
l: 200 mm / 7,87 inch