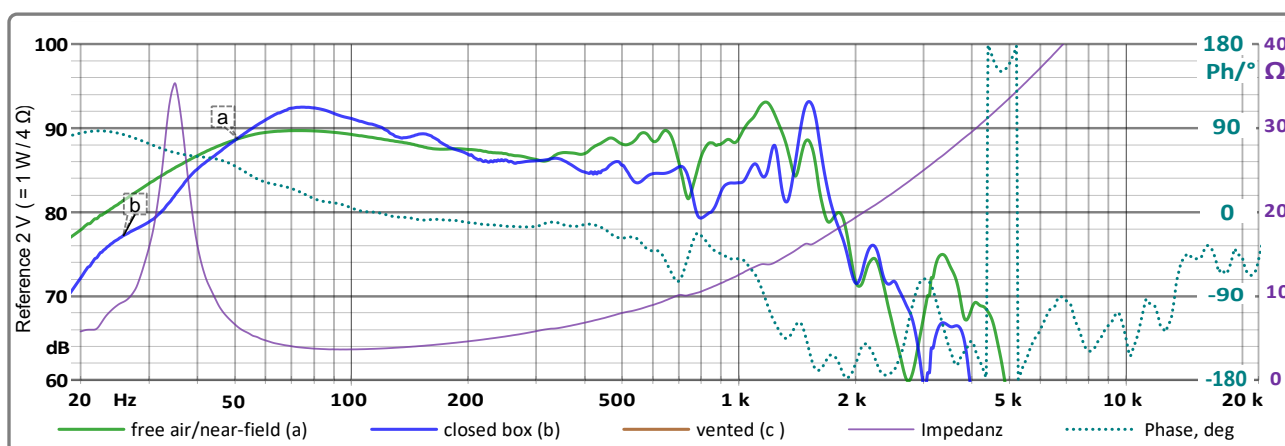


RS-X 12 SLIM

GLADEN
GERMAN TECHNOLOGY

Specifications

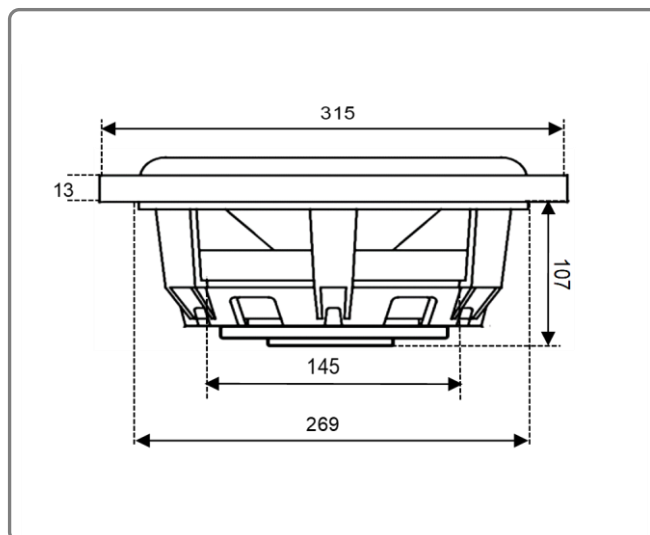
Subwoofer				
Diameter (outside / instal. / depth)	315 / 269 / 120	mm		
Recommended application	> 20 ⁽³⁾ - < 1070 Hz ⁽⁴⁾			
SPL 2,83V/1m ⁽³⁾	93,3 dB			
recommended amplifier power	120 - 460 Watt			
Max. SPL ⁽¹⁾ frequency	25 Hz	40 Hz	63 Hz	
Closed dB / Watt	101 / 400	108 / 400	117 / 650	
Vented dB / Watt	---	---	---	
Nominal impedance	4 Ω			



Parameters

DC resistance	Rdc	2,88	Ω
Resonance frequency ⁽⁵⁾	fs	35	Hz
Voice Coil diameter		61	mm
Voice coil winding height		16	mm
Pole plate strength		6	mm
Max. linear excursion ⁽⁶⁾	+ -	7	mm
Mechanical Q factor	Qms	7,02	
Electrical Q factor	Qes	0,62	
Total Q factor	Qts	0,57	
Moving mass	Mms	98,0	g
Effective piston area	Sd	491	cm ²
Mechanical resistance	Rms	3,09	Kg/s
Compliance	Cms	0,212	mm/N
Force factor	BL	10,0	Tm
Equivalent air volume	VAS	71,6	cm ³
Sound pressure ⁽²⁾	dB w/m	88,6 η ⁽³⁾	0,48 %

Dimensions (mm)



Recommended enclosure volumes inkl. Port & Chassis (n= netto)

Volume	Liter (cm ³)	closed box	vented box
		25 (n 23,3)	0 (n -1,7)
Port diameter	area cm ² / Ø cm / length cm	- / - / -	0 / 0 / 0
Tuning frequency (fb)	Hz	61	0

(1) Measured values reach 50% compression or 1000 watts

(2) Ø within the recommended transmission range

(3) Calculation based on TSP parameters

(4) Upper limit -6 dB - 1/3 oktav, alt. 1/2 octave before resonance

(5) In recorded state

(6) Xmax= [(winding depth - mag. gap depth)/2] + (mag. gap depth/3)