

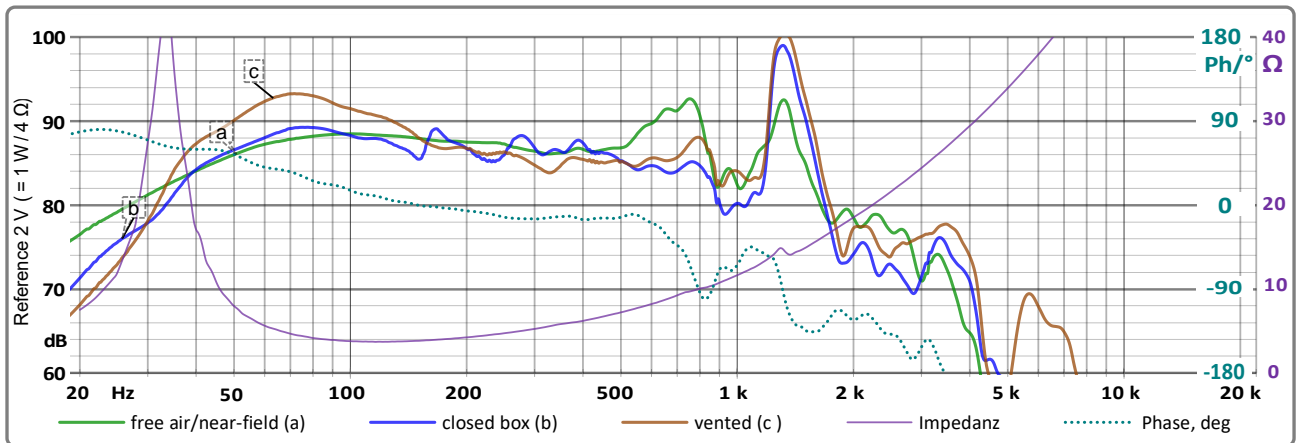
RS-X 10 SLIM

GLADEN
GERMAN TECHNOLOGY

Specifications

Subwoofer

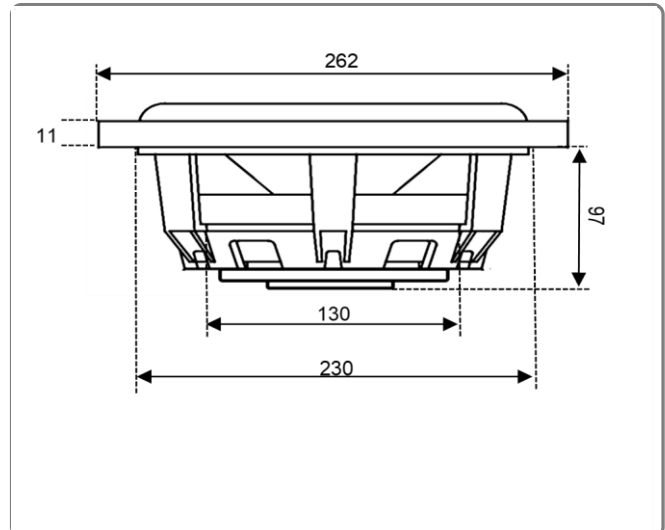
Diameter (outside / instal. / depth)	262 / 230 / 108	mm
Recommended application	> 18 ⁽³⁾ - < 920 Hz ⁽⁴⁾	
SPL 2,83V/1m ⁽³⁾	90,7 dB	
recommended amplifier power	100 - 400 Watt	
Max. SPL ⁽¹⁾ frequency	25 Hz	40 Hz
Closed	97 / 320	107 / 360
Vented	93 / 440	112 / 625
Nominal impedance	4 Ω	



Parameters

DC resistance	Rdc	3	Ω
Resonance frequency ⁽⁵⁾	fs	33,3	Hz
Voice Coil diameter		50,8	mm
Voice coil winding height		14,5	mm
Pole plate strength		6	mm
Max. linear excursion ⁽⁶⁾	+ -	6,25	mm
Mechanical Q factor	Qms	6,31	
Electrical Q factor	Qes	0,46	
Total Q factor	Qts	0,43	
Moving mass	Mms	89,7	g
Effective piston area	Sd	314	cm ²
Mechanical resistance	Rms	2,85	Kg/s
Compliance	Cms	0,254	mm/N
Force factor	BL	11,0	Tm
Equivalent air volume	VAS	35,2	cm ³
Sound pressure ⁽²⁾	dB w/m	87,8	η ⁽³⁾ 0,27 %

Dimensions (mm)



Recommended enclosure volumes inkl. Port & Chassis (n= netto)

Volume	Liter (cm ³)	closed box	vented box
		25 (n 23,88)	25 (n 23,14)
Port diameter	area cm ² / Ø cm / length cm	- / - / -	28,3 / 6 / 26
Tuning frequency (fb)	Hz	53	41

(1) Measured values reach 50% compression or 1000 watts

(2) Ø within the recommended transmission range

(3) Calculation based on TSP parameters

(4) Upper limit -6 dB - 1/3 oktav, alt. 1/2 octave before resonance

(5) In recorded state

(6) Xmax= [(winding depth - mag. gap depth)/2] + (mag. gap depth/3)

