

## M 15

### Speaker Specifications

Power	Pe	<b>400 / 600</b>	RMS/Nom
DC resistance	Rdc	<b>3,9</b>	Ω
Nominal impedance	ZN	<b>4</b>	Ω
Resonance frequency	fs	<b>27,6</b>	Hz
Voice coil diameter		<b>2,5</b>	inch

Mechanical Q factor	Qms	<b>5,05</b>
Electrical Q factor	Qes	<b>0,54</b>
Total Q factor	Qts	<b>0,49</b>

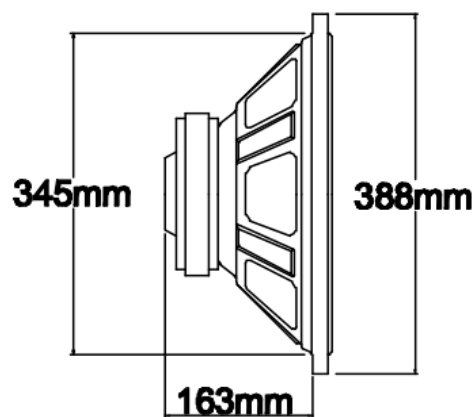
Moving mass	Mms	<b>168,2</b>	g
Effective piston area	Sd	<b>830</b>	cm <sup>2</sup>
Mechanical resistance	Rms	<b>5,8</b>	Kg/s
Compliance	Cms	<b>0,20</b>	mm/N
Force factor	BL	<b>14,7</b>	Tm
Equivalent air volume	Vas	<b>178,8</b>	dm <sup>3</sup>
SPL 2,83V/1m		<b>93,3</b>	dB

Cone: Paper	Spider: Nomex
Surround: Rubber	Coil former: Aluminium
Basket: Steel	Dust cap: PP



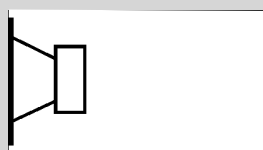
### Diameter

External diameter	<b>388 mm / 15,28 inch</b>
Installation diameter	<b>345 mm / 13,58 inch</b>
Installation depth	<b>163 mm / 6,42 inch</b>
Magnet diameter	<b>160 mm / 6,30 inch</b>

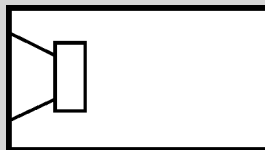


### Recommended Boxes (including Boxes and Drivers)

#### Free Air

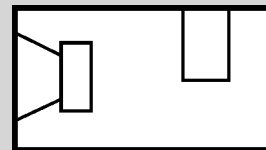


#### Sealed Box



V: **60 l**

#### Vented Box



V: **90 l**

d: 2 x 100 mm / 3,94 inch  
l: 200 mm / 7,87 inch