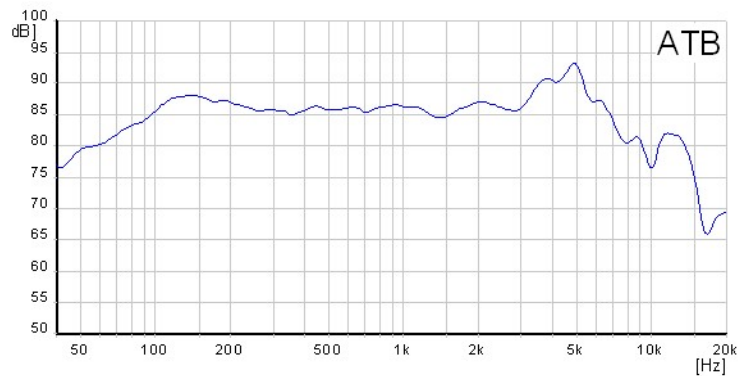


## ZERO PRO 165.2 PP

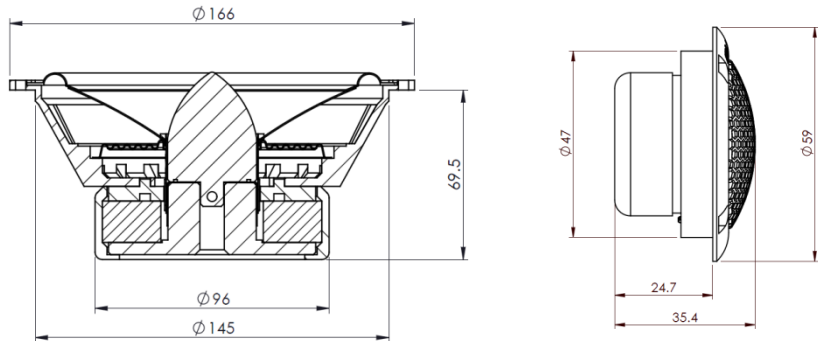
### Midrange specifications:



|                       |     |                             |
|-----------------------|-----|-----------------------------|
| Name                  |     | <b>HG-165ZPPP-3</b>         |
| DC resistance         | Rdc | <b>2,5 Ω</b>                |
| Nominal impedance     | ZN  | <b>3 Ω</b>                  |
| Resonance frequency   | fs  | <b>53,86 HZ</b>             |
| Voice coil diameter   |     | <b>37 mm</b>                |
| Mechanical Q factor   | Qms | <b>3,92</b>                 |
| Electrical Q factor   | Qes | <b>0,45</b>                 |
| Total Q factor        | Qts | <b>0,40</b>                 |
| Moving mass Mms       |     | <b>14,22 g</b>              |
| Effective piston area | Sd  | <b>135 cm<sup>2</sup></b>   |
| Mechanical resistance | Rms | <b>1,23 Kg/s</b>            |
| Compliance            | Cms | <b>0,61 mm/N</b>            |
| Force factor          | BL  | <b>5,17 Tm</b>              |
| Equivalent air volume | Vas | <b>15,71 dm<sup>3</sup></b> |
| Efficiency            | η   | <b>0,53 %</b>               |
| SPL 2,83V/1m          |     | <b>94,26 dB</b>             |



- Cone: **Paper**
- Spider: **Nomex**
- Surround: **Rubber**
- Coil former: **Aluminum**
- Basket: **Aluminum**
- Phase Plug: **Aluminum**



### Tweeter specifications:

|                     |     |                |
|---------------------|-----|----------------|
| Name                |     | <b>HG-28PV</b> |
| DC resistance       | Rdc | <b>3,4 Ω</b>   |
| Nominal impedance   | ZN  | <b>4 Ω</b>     |
| Resonance frequency | fs  | <b>800 HZ</b>  |
| Voice coil diameter |     | <b>28 mm</b>   |

