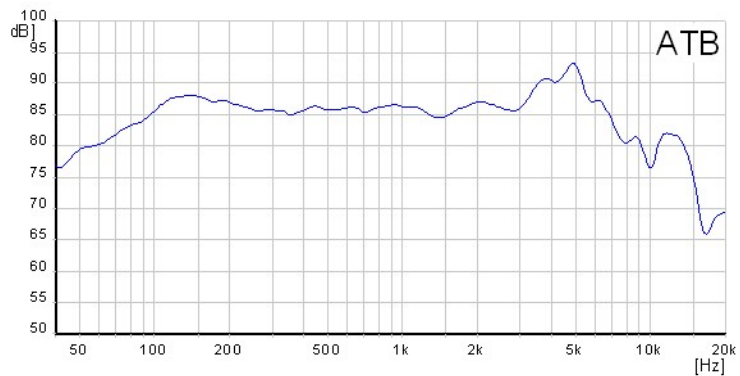


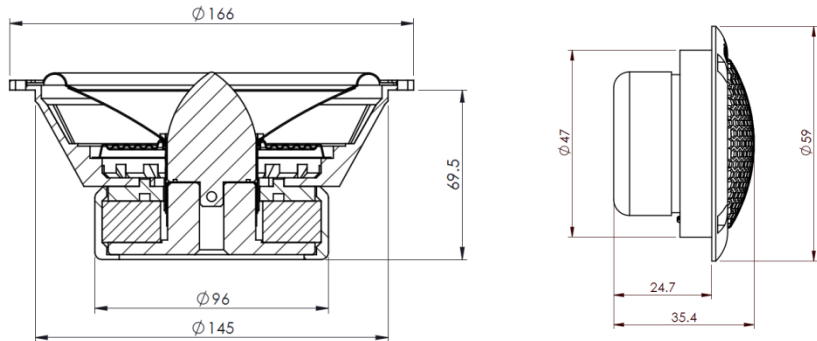
ZERO PRO 165.2 PP AKTIV

Midrange specifications:

Name		HG-165ZPPP-3
DC resistance	Rdc	2,5 Ω
Nominal impedance	ZN	3 Ω
Resonance frequency	fs	53,86 HZ
Voice coil diameter		37 mm
Mechanical Q factor	Qms	3,92
Electrical Q factor	Qes	0,45
Total Q factor	Qts	0,40
Moving mass Mms		14,22 g
Effective piston area	Sd	135 cm²
Mechanical resistance	Rms	1,23 Kg/s
Compliance	Cms	0,61 mm/N
Force factor	BL	5,17 Tm
Equivalent air volume	Vas	15,71 dm³
Efficiency	η	0,53 %
SPL 2,83V/1m		94,26 dB



Cone:	Paper
Spider:	Nomex
Surround:	Rubber
Coil former:	Aluminum
Basket:	Aluminum
Phase Plug:	Aluminum



Tweeter specifications:

Name		HG-28PV
DC resistance	Rdc	3,4 Ω
Nominal impedance	ZN	4 Ω
Resonance frequency	fs	800 HZ
Voice coil diameter		28 mm

