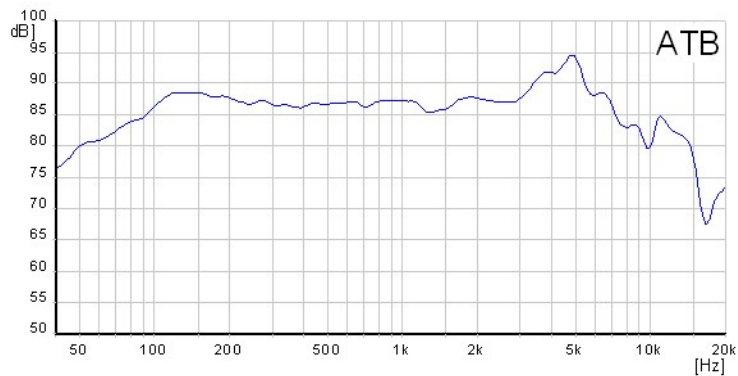


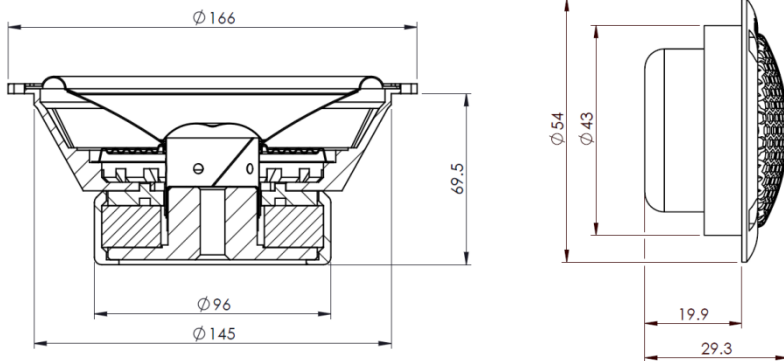
ZERO PRO 165.2 DUAL AKTIV

Midrange specifications:

Name		HG-165ZPDC-4
DC resistance	Rdc	3,4 Ω
Nominal impedance	ZN	4 Ω (per mid-woofer)
Resonance frequency	fs	55,52 HZ
Voice coil diameter		37 mm
Mechanical Q factor	Qms	3,94
Electrical Q factor	Qes	0,54
Total Q factor	Qts	0,47
Moving mass Mms		13,91 g
Effective piston area	Sd	135 cm²
Mechanical resistance	Rms	1,23 Kg/s
Compliance	Cms	0,59 mm/N
Force factor	BL	5,53 Tm
Equivalent air volume	Vas	15,12 dm³
Efficiency	η	0,46 %
SPL 2,83V/1m		92,36 dB



Cone:	Paper
Spider:	Nomex
Surround:	Rubber
Coil former:	Aluminum
Basket:	Aluminum
Dust cap:	Silk



Tweeter specifications:

Name		HG-25PV
DC resistance	Rdc	3,4 Ω
Nominal impedance	ZN	4 Ω
Resonance frequency	fs	860 HZ
Voice coil diameter		25 mm

