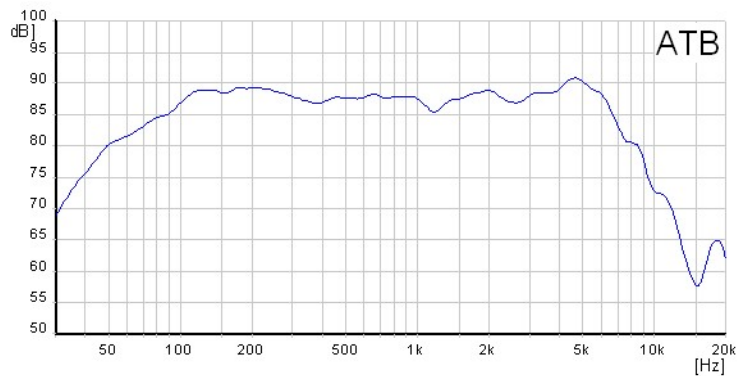


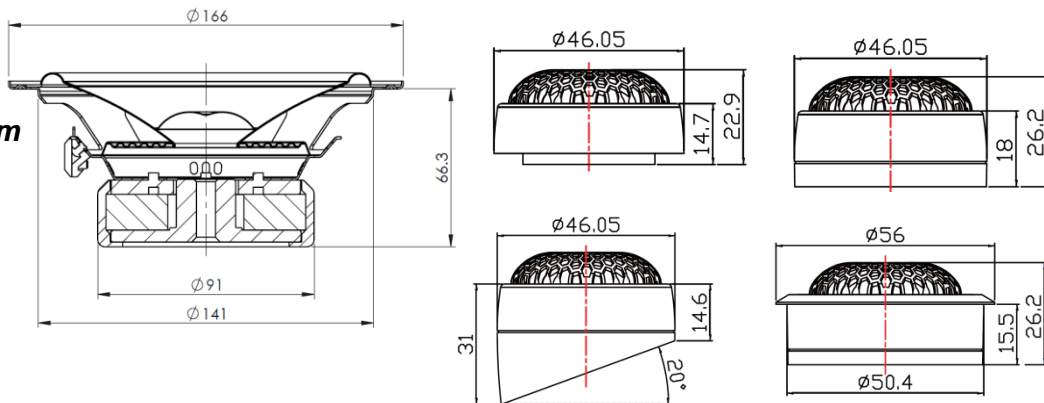
ZERO 165

Midrange specifications:

Name		HG-165Z
DC resistance	Rdc	2,8 Ω
Nominal impedance	ZN	3 Ω
Resonance frequency	fs	60,46 HZ
Voice coil diameter		25 mm
Mechanical Q factor	Qms	3,71
Electrical Q factor	Qes	0,58
Total Q factor	Qts	0,50
Moving mass Mms		12,12 g
Effective piston area	Sd	135 cm²
Mechanical resistance	Rms	1,24 Kg/s
Compliance	Cms	0,57 mm/N
Force factor	BL	4,7 Tm
Equivalent air volume	Vas	14,63 dm³
Efficiency	η	0,53 %
SPL 2,83V/1m		93,84 dB



Cone: **Paper**
 Spider: **Nomex**
 Surround: **Rubber**
 Coil former: **Aluminum**
 Basket: **Steel**
 Dust cap: **Silk**



Tweeter specifications:

Name		HG-25SG
DC resistance	Rdc	3,3 Ω
Nominal impedance	ZN	4 Ω
Resonance frequency	fs	1580 HZ
Voice coil diameter		25 mm

