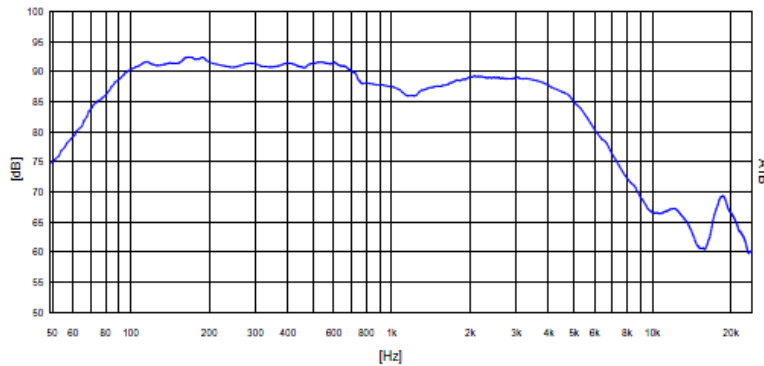


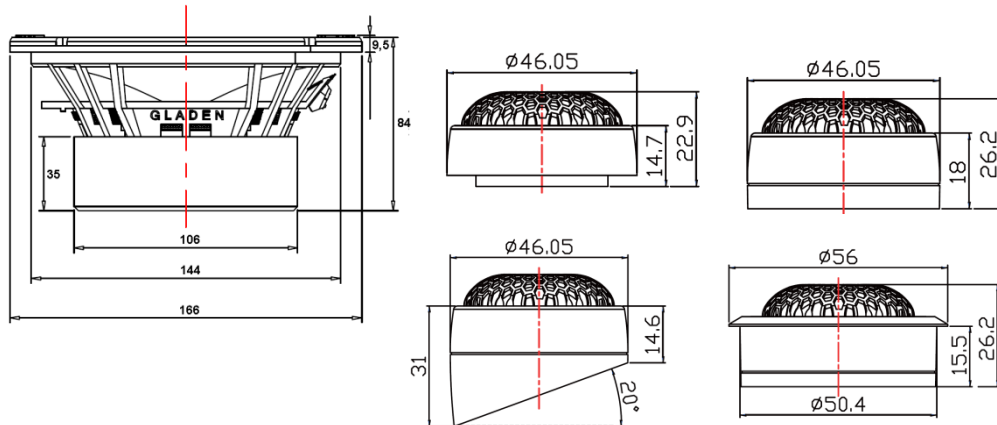
SQL 165 DUAL

Midrange specifications:

| | | |
|-----------------------|-----|----------------------------|
| Name | | 2x HG-165SQL-4 |
| DC resistance | Rdc | 3,5 Ω |
| Nominal impedance | ZN | 4 Ω |
| Resonance frequency | fs | 67,7 HZ |
| Voice coil diameter | | 37 mm |
| Mechanical Q factor | Qms | 2,96 |
| Electrical Q factor | Qes | 0,68 |
| Total Q factor | Qts | 0,55 |
| Moving mass | Mms | 14,28 g |
| Effective piston area | Sd | 135 cm² |
| Mechanical resistance | Rms | 2,23 Kg/s |
| Compliance | Cms | 0,39 mm/N |
| Force factor | BL | 5,4Tm |
| Equivalent air volume | Vas | 8,22 dm³ |
| Efficiency | η | 0,36 % |
| SPL 2,83V/1m | | 91,2 dB |



Cone: **Carbon**
 Spider: **Nomex**
 Surround: **Rubber**
 Coil former: **Aluminum**
 Basket: **Aluminum**
 Dust cap: **Fiberglass**



Tweeter specifications:

| | | |
|---------------------|-----|----------------|
| Name | | HG-25SG |
| DC resistance | Rdc | 3,3 Ω |
| Nominal impedance | ZN | 4 Ω |
| Resonance frequency | fs | 1580 HZ |
| Voice coil diameter | | 25 mm |

