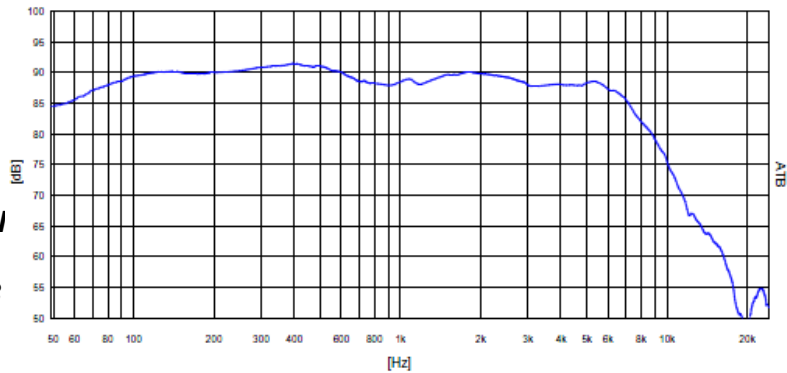


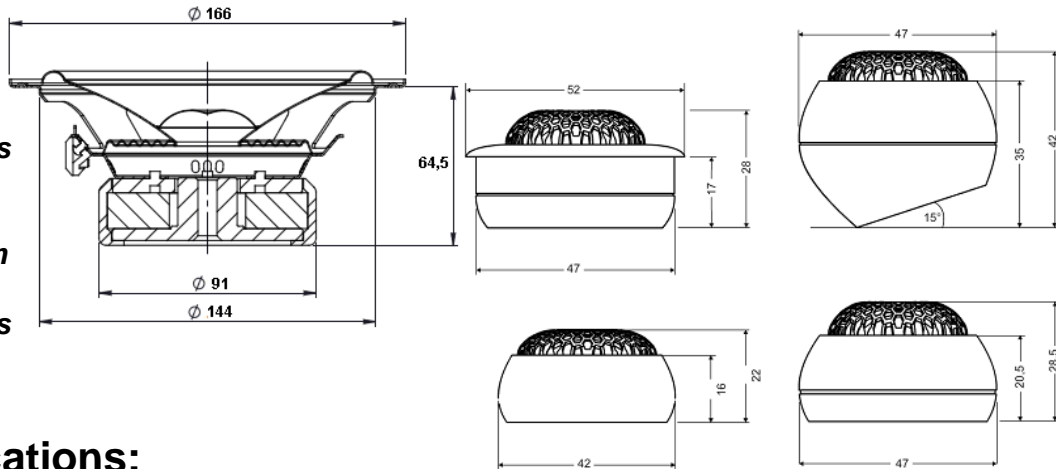
RS 165

Midrange specifications:

Name		HG-165RS-3
DC resistance	R _{dc}	2,5 Ω
Nominal impedance	Z _N	3 Ω
Resonance frequency	f _s	56,63 HZ
Voice coil diameter		25 mm
Mechanical Q factor	Q _{ms}	3,74
Electrical Q factor	Q _{es}	0,61
Total Q factor	Q _{ts}	0,52
Moving mass	M _{ms}	14,32 g
Effective piston area	S _d	135 cm²
Mechanical resistance	R _{ms}	1,48 Kg/s
Compliance	C _{ms}	0,55 mm/N
Force factor	BL	4,4Tm
Equivalent air volume	V _{as}	11,72 dm³
Efficiency	η	0,34%
SPL 2,83V/1m		92,23 dB



Cone:	Fiberglass
Spider:	Nomex
Surround:	Rubber
Coil former:	Aluminum
Basket:	Steel
Dust cap:	Fiberglass



Tweeter specifications:

Name		HG-25GF
DC resistance	R _{dc}	3,4 Ω
Nominal impedance	Z _N	4 Ω
Resonance frequency	f _s	1535 HZ
Voice coil diameter		25 mm

