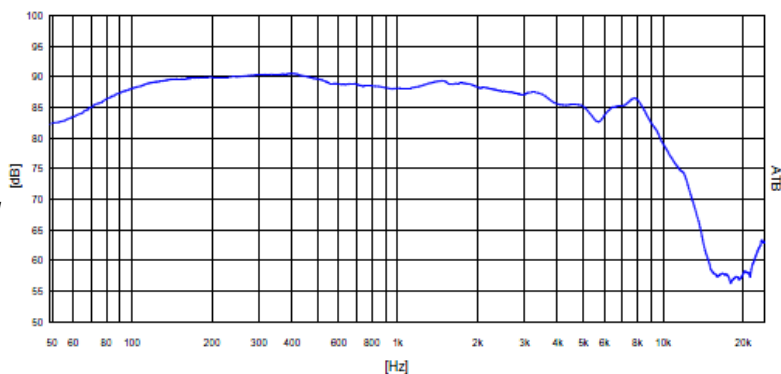


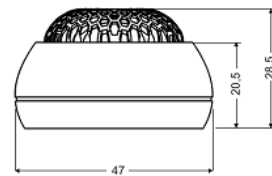
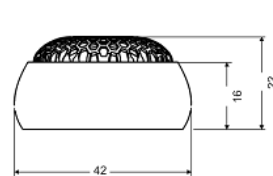
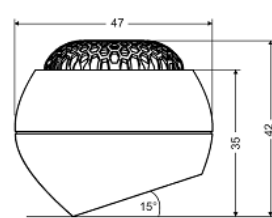
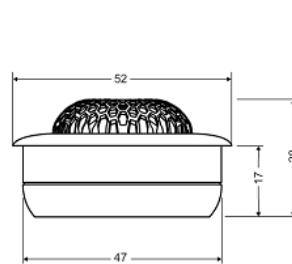
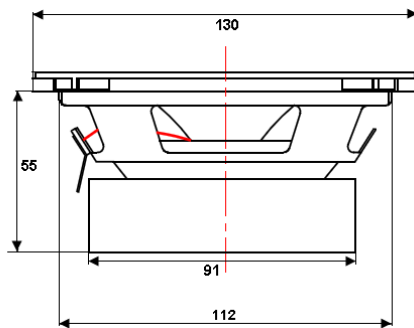
RS 130

Midrange specifications:

Name		HG-130RS-3
DC resistance	R _{dc}	2,5 Ω
Nominal impedance	Z _N	3 Ω
Resonance frequency	f _s	61,10 HZ
Voice coil diameter		25 mm
Mechanical Q factor	Q _{ms}	2,58
Electrical Q factor	Q _{es}	0,47
Total Q factor	Q _{ts}	0,40
Moving mass	M _{ms}	13,77 g
Effective piston area	S _d	85 cm²
Mechanical resistance	R _{ms}	1,24 Kg/s
Compliance	C _{ms}	0,49 mm/N
Force factor	BL	5,14Tm
Equivalent air volume	V _{as}	5,0 dm³
Efficiency	η	0,23 %
SPL 2,83V/1m		90,64 dB



Cone: **Fiberglass**
 Spider: **Nomex**
 Surround: **Rubber**
 Coil former: **Aluminum**
 Basket: **Steel**
 Dust cap: **Fiberglass**



Tweeter specifications:

Name		HG-25GF
DC resistance	R _{dc}	3,4 Ω
Nominal impedance	Z _N	4 Ω
Resonance frequency	f _s	1535 HZ
Voice coil diameter		25 mm

