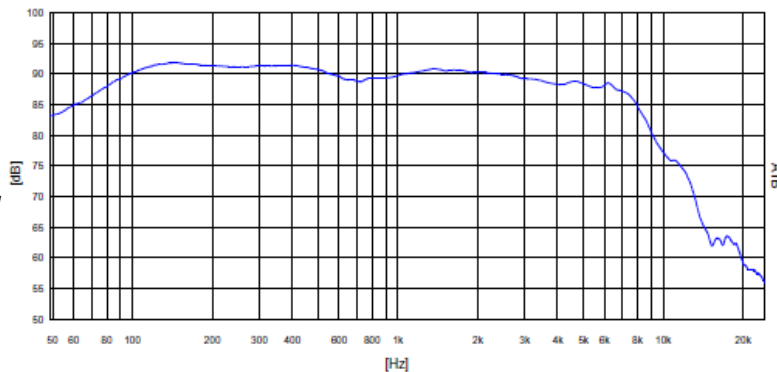


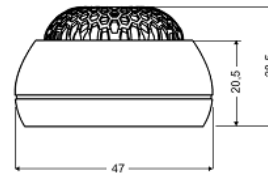
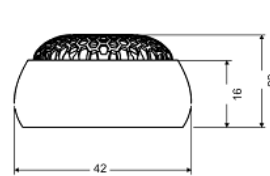
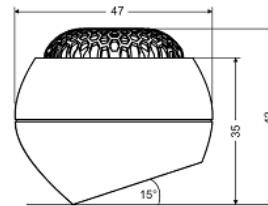
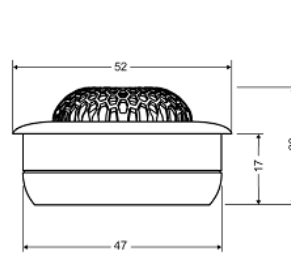
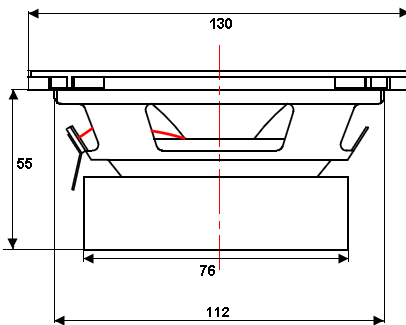
M 130

Midrange specifications:

Name		HG-130M-3
DC resistance	<i>R_{dc}</i>	2,4 Ω
Nominal impedance	<i>Z_N</i>	3 Ω
Resonance frequency	<i>f_s</i>	82,6 HZ
Voice coil diameter		25 mm
Mechanical Q factor	<i>Q_{ms}</i>	3,30
Electrical Q factor	<i>Q_{es}</i>	0,84
Total Q factor	<i>Q_{ts}</i>	0,67
Moving mass	<i>M_{ms}</i>	7,89 g
Effective piston area	<i>S_d</i>	85 cm²
Mechanical resistance	<i>R_{ms}</i>	1,35 Kg/s
Compliance	<i>C_{ms}</i>	0,47 mm/N
Force factor	<i>BL</i>	3,31Tm
Equivalent air volume	<i>V_{as}</i>	4,78 dm³
Efficiency	<i>η</i>	0,31 %
SPL 2,83V/1m		92,0 dB



Cone: **Fiberglass**
 Spider: **Nomex**
 Surround: **Rubber**
 Coil former: **Aluminum**
 Basket: **Steel**
 Dust cap: **Fiberglass**



Tweeter specifications:

Name		HG-25GF
DC resistance	<i>R_{dc}</i>	3,4 Ω
Nominal impedance	<i>Z_N</i>	4 Ω
Resonance frequency	<i>f_s</i>	1535 HZ
Voice coil diameter		25 mm

