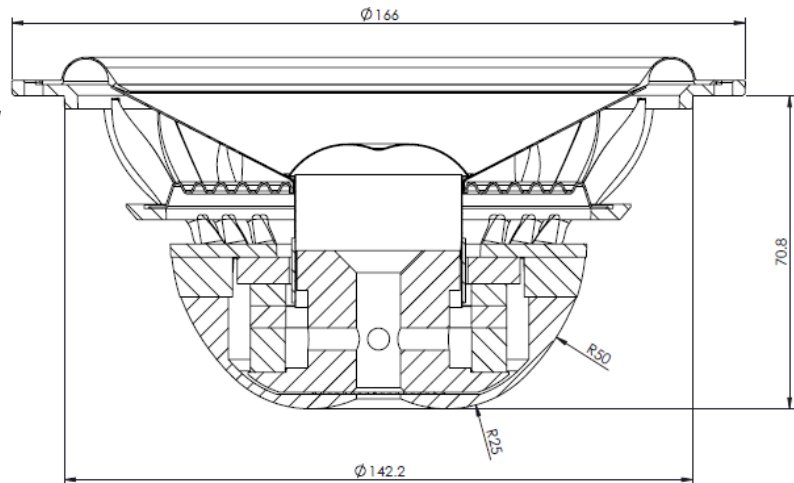


## AEROSPACE 165 DC

### Specifications:

Name		<b>HG-165AeroDC-3</b>
DC resistance	Rdc	<b>2,7 Ω</b>
Nominal impedance	ZN	<b>3 Ω</b>
Resonance frequency	fs	<b>49 HZ</b>
Voice coil diameter		<b>37 mm</b>
Mechanical Q factor	Qms	<b>7,1</b>
Electrical Q factor	Qes	<b>0,63</b>
Total Q factor	Qts	<b>0,58</b>
Moving mass Mms		<b>14,5 g</b>
Effective piston area	Sd	<b>135 cm<sup>2</sup></b>
Mechanical resistance	Rms	<b>0,63 Kg/s</b>
Compliance	Cms	<b>0,73mm/N</b>
Force factor	BL	<b>4,4Tm</b>
Equivalent air volume	Vas	<b>18,5 dm<sup>3</sup></b>
Efficiency	η	<b>0,33 %</b>
SPL 2,83V/1m		<b>92,0 dB</b>



Cone:	<b>GLADEN C7</b>
Spider:	<b>Connex</b>
Surround:	<b>SBR</b>
Coil former:	<b>Fibreglass</b>
Basket:	<b>Aluminum</b>
Dust Cap:	<b>Silk</b>

