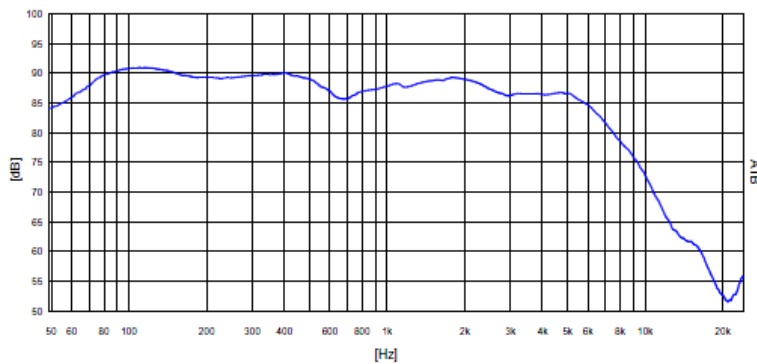


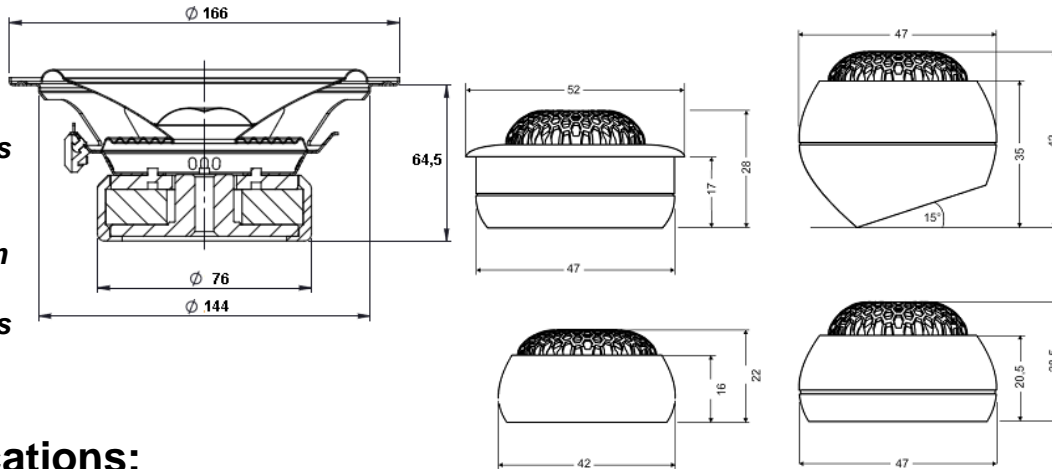
M 165

Midrange specifications:

Name		HG-165M-3
DC resistance	Rdc	2,5 Ω
Nominal impedance	ZN	3 Ω
Resonance frequency	fs	59,1 HZ
Voice coil diameter		25 mm
Mechanical Q factor	Qms	3,94
Electrical Q factor	Qes	0,92
Total Q factor	Qts	0,74
Moving mass	Mms	14,07 g
Effective piston area	Sd	135 cm²
Mechanical resistance	Rms	1,44Kg/s
Compliance	Cms	0,52 mm/N
Force factor	BL	3,64 Tm
Equivalent air volume	Vas	10,96 dm³
Efficiency	η	0,24 %
SPL 2,83V/1m		90,74 dB



Cone:	Fiberglass
Spider:	Nomex
Surround:	Rubber
Coil former:	Aluminum
Basket:	Steel
Dust cap:	Fiberglass



Tweeter specifications:

Name		HG-25GF
DC resistance	Rdc	3,4 Ω
Nominal impedance	ZN	4 Ω
Resonance frequency	fs	1535 HZ
Voice coil diameter		25 mm

